

AIM-77S

10.1" Service Industry Tablet for Retail, Hospitality, and Industrial Applications



Features

- Rockchip RK3568 with Android 12 OS
- 10.1" WXGA, Anti-Glare, Anti-Fingerprint LCD Display with Corning Gorilla Glass 3 scratch-resistant and multi-finger support touchscreen
- Support Wi-Fi 6E and Bluetooth 5.3 for lower latency, higher speed and larger capacity
- IP54 rating and 1.2m drop resistant(with rugged case)
- Optional embedded MSR / NFC / Barcode Scanner
- Optional magnetic dockings for versatile expansion flexibility
- PD 3.0 Fast charging and long battery life for daily usage
- Intelligent Power Delivery design for longer battery lifespan in Stationary scenario.
- Equipped with DeviceOn/iService software for remote device management



Introduction

AIM-77S is a 10.1" Android OS industrial grade tablet for Service Industry, such as Retail, Hospitality, and Manufacturing. The highly integrated design with optional features of MSR / NFC / Barcode Scanner, and the expansion flexibility via versatile dockings with USB3.0, RJ45(Ethernet), RJ48(COM Port), RJ11(Cash drawer), make AIM-77S be the ideal choice for service industry applications. In addition, the optimized power delivery design, various accessories, and easy-to-clean/place/remove magnetic expansion port design allow the AIM-77S to achieve good balance between Mobility and Stationary.

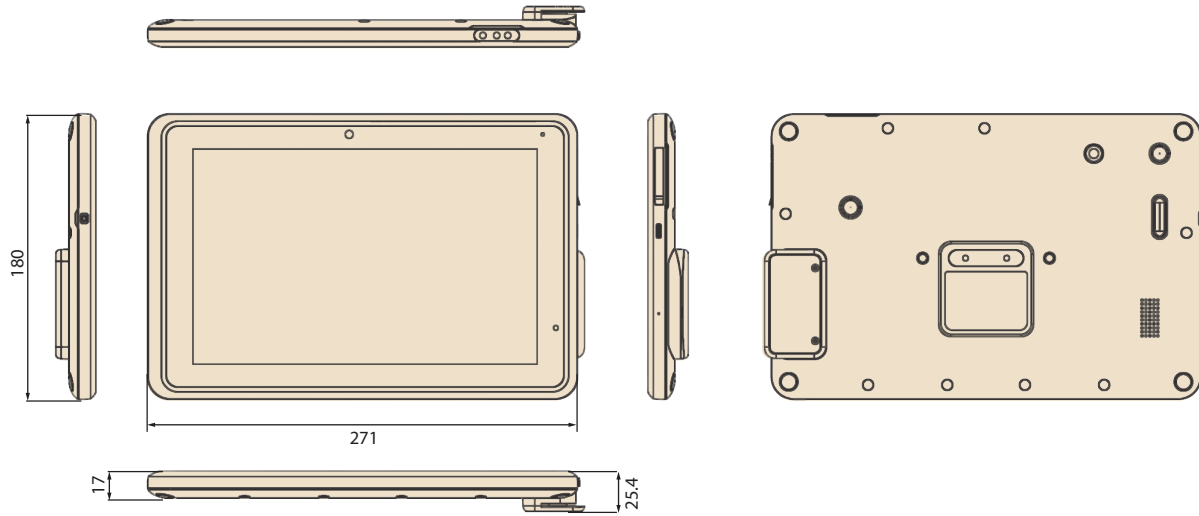
Specifications

System	Processor	Rockchip RK3568 (Quad-core Cortex-A55 up to 2.0GHz)
	Memory OS	4GB LPDDR4x (Optional: 8GB) Android 12
Storage	eMMC	64GB eMMC5.1 (Optional: 128GB)
	microSD	Support (Up to 1TB)
Display	Type	10.1" IPS TFT LCD Panel
	Resolution	WXGA, 1280x800
	Brightness	350nits (LCM Typical)
	Touch Type	10-point multi-touch P-CAP touch control
	Glass Type	Corning Gorilla Glass 3
Communication	WLAN	Wi-Fi 6E, IEEE 802.11 a/b/g/n/ac/ax
	Bluetooth	Bluetooth® v5.3
	NFC (Optional)	13.56 MHz, compatible with ISO15693, ISO14443A, ISO 14443B, FeliCa
Connectivity	Standard I/O	1 x USB 3.0 Type C (for Charging and Data)
	Docking	1 x USB 3.0 16-pin Pogo Connector (for Charging and Data)
Audio	Speaker	1 x Internal Speaker (2W)
	Audio Jack	1 x Audio combo jack (combines stereo audio output and mono microphone input)
	Microphone	1 x Digital-Microphone
Camera	Front	5.0-megapixel fixed-focus camera
	Rear	8.0-megapixel auto-focus camera
Data Collection	Sensors	Ambient Light Sensor, G-sensor, Gyroscope + e-Compass, Hall Sensor
	Barcode Scanner (Optional)	Embedded 1D/2D Barcode Reader
	MSR (Optional)	Embedded 3 track MSR module
Control Buttons		1 x Power button, 1 x Volume key (Up & Down) 1 x programmable function key (default: Barcode Scanner trigger)
System Indicator	Power/Battery LED	System Off: 100% (Green), Charging (Blue) System On: ≥ 81% (Green), Charging (Blue), ≤ 10% (Blinking Red)
Power System	Input Voltage	USB Type C: 45W PD3.0 15V/3A Docking (16pin Pogo): 45W 12V/3.75A
	Battery	Embedded Li-ion Polymer battery, 2S1P, 7.7V, 4440mAh (34.19Wh) Operating time: up to 8 hours (depending on user scenario) Charging time: 30mins to 50%, 2.5hrs to 100%
Environment	Operating Temperature	0°C ~ 40°C (32°F ~ 104°F)
	Storage Temperature	-10°C ~ 60°C (14°F ~ 140°F)
	IP Rating	IP54 (non-MSR SKU)
	Humidity	90% at 40°C (non-condensing)
Physical Characteristics	Drop Protection	75cm (with Rugged case: up to 120cm onto plywood)
	Dimension (W x D x H)	271 x 180 x 17 (mm)
	Weight	885g (non-MSR), 910g (MSR)
Certifications		FCC, CE, CB, UL, NCC, BSMI

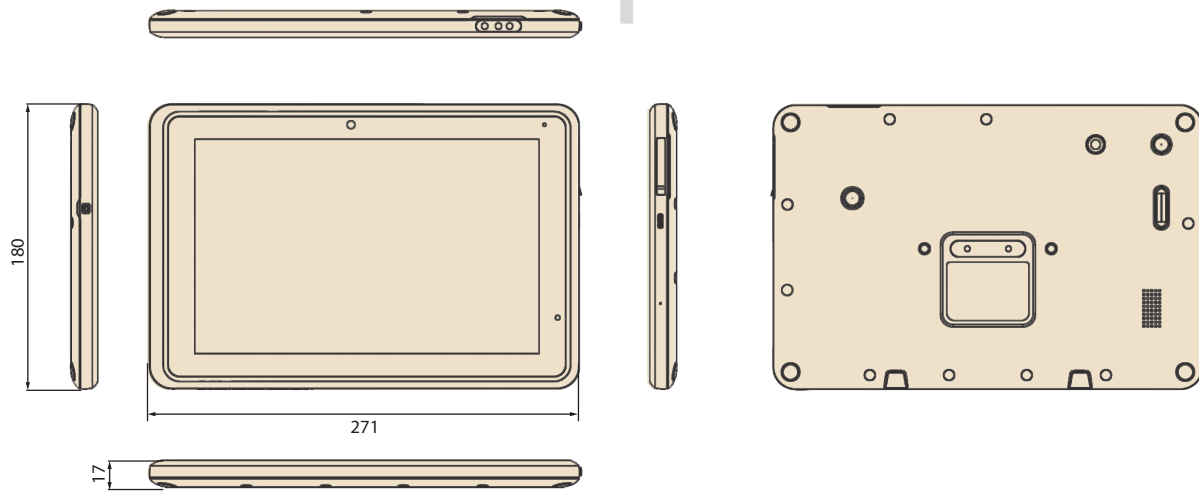
Dimensions

Unit: mm

AIM-77S-M (MSR SKU)



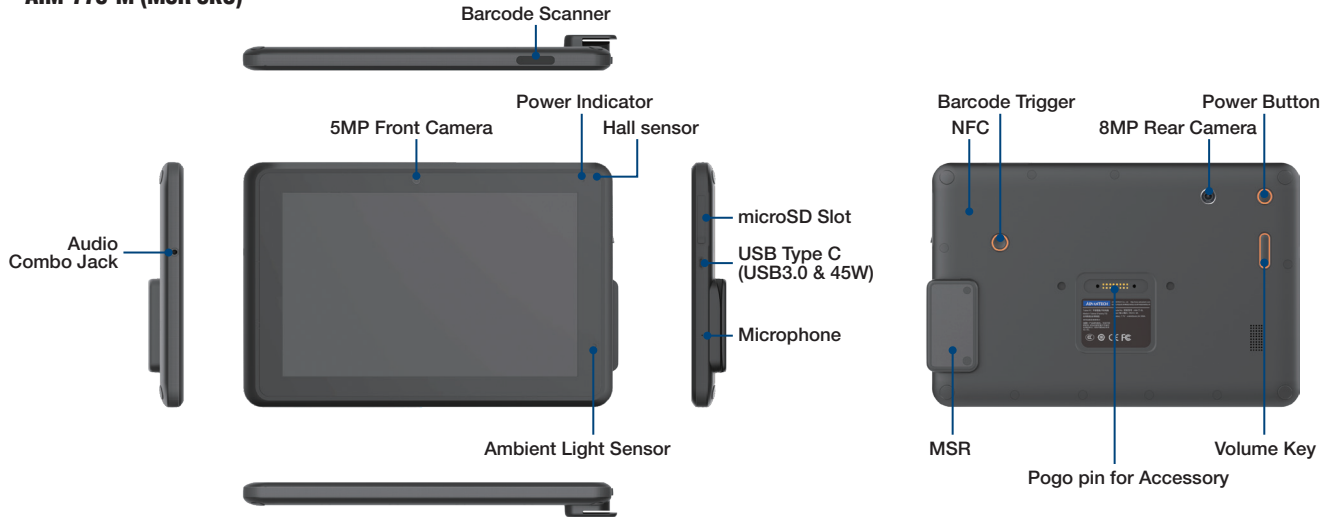
AIM-77S-S (non-MSR SKU)



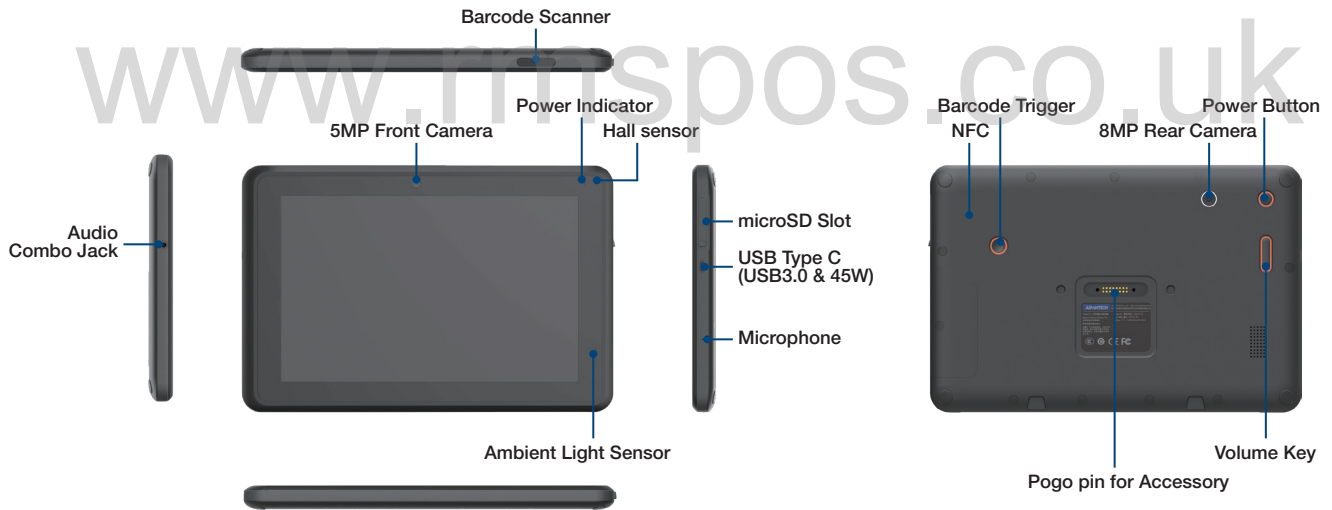
www.rmsspos.co.uk

System I/O

AIM-77S-M (MSR SKU)



AIM-77S-S (non-MSR SKU)



Ordering Information

PN	OS	Memory/Storage	Front & Rear CAM.	MSR	NFC	BCR	ADP
AIM-77S-SW00000	Android 12	4GB/64GB	V		V	V	V
AIM-77S-SW01000	Android 12	4GB/64GB	V		V		V
AIM-77S-SW11000	Android 12	4GB/64GB	V				V

Optional Accessories

PN	Country	Description
1700024849-01	TW	Power Cord BSMI 3P 2.5A 125V 180cm
1700001524	US	Power Cord UL 3P 7A 125V 183cm
170203183C	EU	Power Cord EU 3P 2.5A 250V 183cm
1700008921	JP	Power Cord PSE 3P 7A 125V 183cm
1700018553	NZ/AU	Power Cord SAA 3P 2.5A 250V 183cm
170203180A-01	UK	Power Cord ASTA 3P 2.5A 250V 183cm
96PSA-A45WPDUCF	/	AIM-77S 45W PD3.0 Type C ADP

AIM-77S Packing List

Description
1 x AIM-77S Tablet
1 x Pin for microSD Card Slot
1 x 45W AC/DC Adapter
1 x TW BSMI C5 180cm Power Cord (1700024849-01)