

VariPOS 250A/270A

Scalability, Flexibility and Simplicity.
(Flex Beyond Limits.)



reddot winner 2020

Features

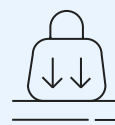
- Intel® Alder Lake 12th Gen. Core i3/i5 CPU and Celeron CPU.
- True flat 15" 4:3 LCD, 400 nits / 17" 5:4 LCD, 400 nits with front bezel IP66 protection.
- Dual Hinged Stand for Maximum Flexibility (Supports Any Angle from Flat / Low Profile to upright 90°) .
- Secure Base attachment (75 x 75) to surface.
- Hidden Cable Management channels organize & reduce clutter when connecting accessory cables.
- Extendable I/O capability to meet any project specification (Optional) .
- Peripheral compatibility across the whole VariPOS 2 Series: 2D Scanner, RFID, MSR, iButton & Fingerprint.



Intel Core
CPU



Dual Hinged
Stand



Die-Cast
Aluminum Casing



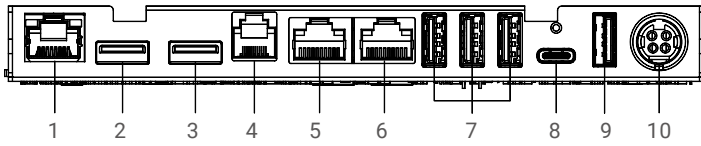
IP66
Spill Proof

Technical Specifications

System Information	<p>PE24 Intel® Elkhart Lake Celeron</p> <p>PE26 Intel® Alder Lake-P, U-Platform - Core i5 up to 4.4 GHz - Core i3 up to 4.4 GHz</p> <p>System Memory - PE24: 1 x SO-DIMM DDR4 slot, 8GB RAM as standard. Max. memory support up to 16GB - PE26: 1 x SO-DIMM DDR5 slot, 8GB RAM as standard. Max. memory support up to 32GB</p> <p>Intel® AMT i5 CPU</p> <p>TPM Intel® F/W TPM 2.0</p>
Display & Touch	<ul style="list-style-type: none">- 15" 4:3 LCD, resolution 1024x768 (VariPOS 250A)- 17" 5:4 LCD, resolution 1280x1024 (VariPOS 270A)- 400cd / m², LED backlight- 10-point PCAP multi-touch screen
Storage	1 x M.2 PCIe SSD or 1 x 2.5" SATA III SSD
Expansion	1 x M.2 E Key
Connectivity	<ul style="list-style-type: none">- 3 x USB 2.0, 3 x USB 3.1- 2 x RJ-48 COM Ports (Support DC+0/5/12V by BIOS setting, default is 0V)- 1 x Type C (DP+PD)- 1 x RJ45 Gigabit Ethernet support 10/100/1000M, WOL, PXE- 1 x RJ11 support DC+12V or 24V (default) port, support 2 cash drawers- 1 x 4-pin DIN with lock for DC-IN
VarIO I/O Box (Project Based)	<ul style="list-style-type: none">- 1 x RJ11 support DC+12V or 24V (default) port, support 2 cash drawers- 1 x RJ45 Gigabit Ethernet- 2 x USB 3.0, 4 x USB 2.0- 4 x RS-232 (Jumper setting, support DC+0/5/12V, default setting is 0V)- 2 x DC+12V Powered USB (Optional)- 1 x DC+24V Powered USB (Optional)- 1 x Type C
Audio	2 x 2W speaker
Power Requirement	<ul style="list-style-type: none">- Input: 100 ~ 240Vac / 50 ~ 60Hz- Output: DC+19V, 65W AC to DC Adapter (PE24)- Output: DC+19V, 90W AC to DC Adapter (PE26)*PUSB will use 180W adaptor
Mechanical & Construction	<ul style="list-style-type: none">- Front panel IP66- Default color: Space Gray- System fan: Fanless operation- Weight (NW / GW): 5.0 Kgs / 7.0 Kgs (VariPOS 250A)- Weight (NW / GW): 7.1 Kgs / 9.6 Kgs (VariPOS 270A)- Dimension (W x H x D): 365.89 x 312.03 x 175.28mm (VariPOS 250A)- Dimension (W x H x D): 396.93 x 339.83 x 175.28mm (VariPOS 270A)- Mounting: Wall / Pole / VESA 75x75- Construction: Die-casting aluminum with plastic covers
Environmental	<ul style="list-style-type: none">- Operating temperature: 0°C ~ 40°C, 10% ~ 90% Relative Humidity, Non-condensing- Storage temperature: -20°C ~ 60°C, 10% ~90% Relative Humidity, Non-condensing
Certification	CE / FCC / LVD
OS Support	Windows 10 / 11 (64 bit), Linux (Ubuntu 22.04)
Optional Accessories	<ul style="list-style-type: none">- 3-Track MSR, USB type- iButton reader, USB type- RFID reader, 13.56MHz, USB type- Fingerprint reader, USB type- 2D scanner, USB type- 2 x 20 character LCM- 10.1" Resolution 1280 x 800 (16:10 wide screen) USB Type. Support NFC 13.56 MHz, ISO 14443 A / B, ISO 15693, ISO 18092, FeliCa with or without True-flat P-cap 10 point Multi-touch

Panel PC IO Interface

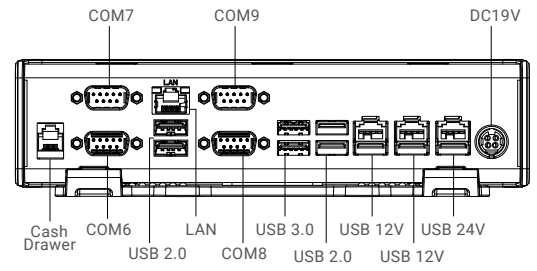
VariPOS 250A/270A (Elkhart Lake-PE24 / Alder Lake-PE26)



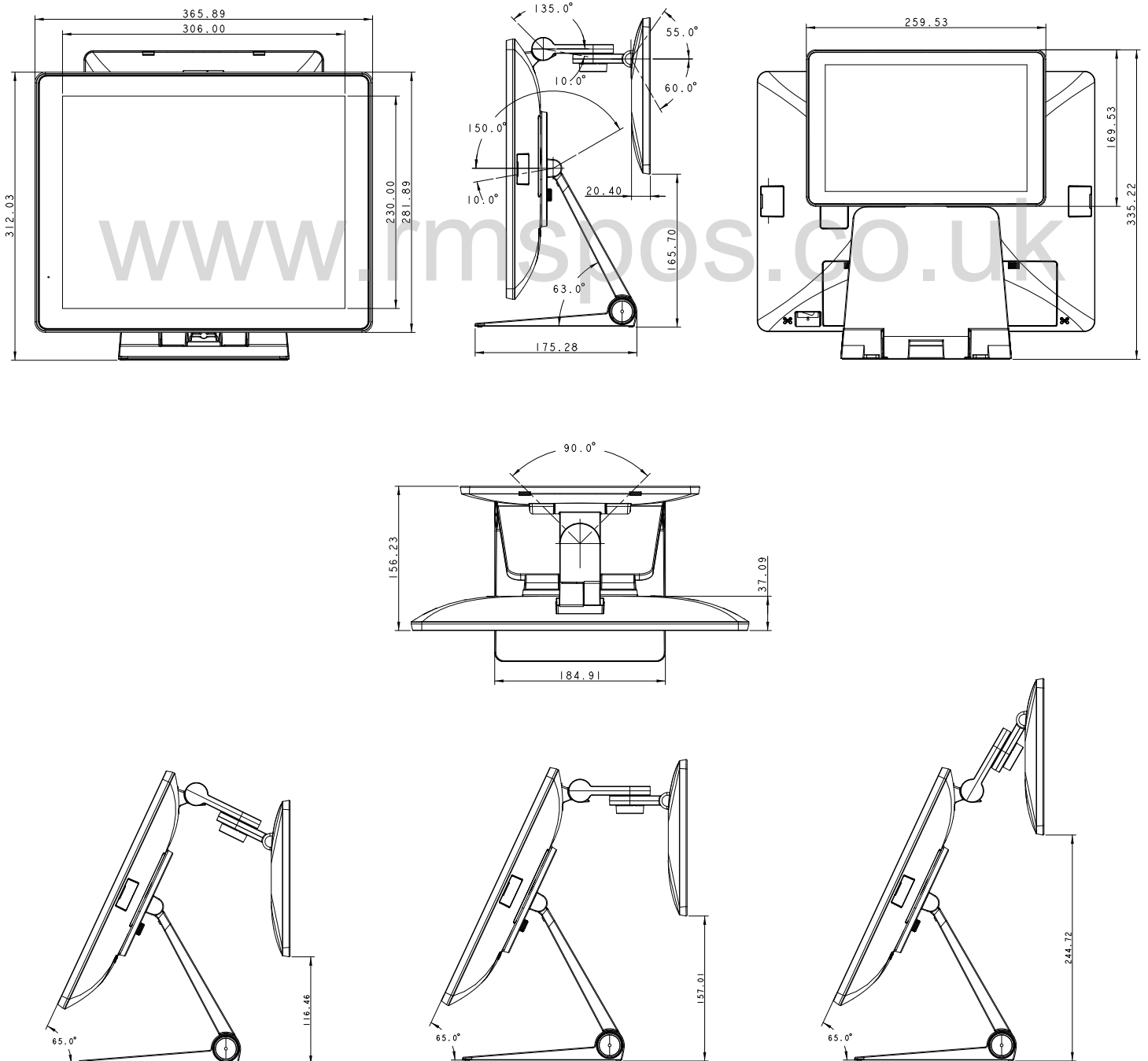
- | | |
|----------------|---------------|
| 1. LAN | 7. USB 2.0 |
| 2. USB 3.0 | 8. USB Type C |
| 3. USB 3.0 | 9. USB 3.0 |
| 4. Cash Drawer | 10. DC 19V |
| 5. COM2 | |
| 6. COM1 | |

VariI/O Box

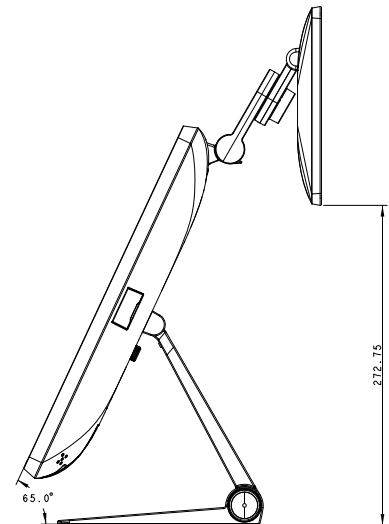
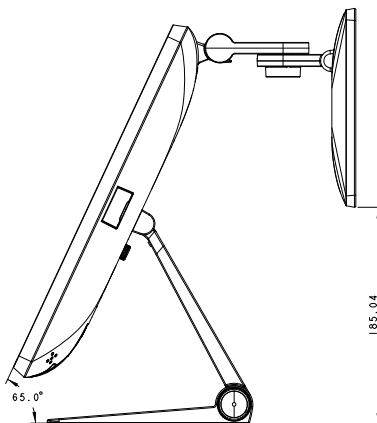
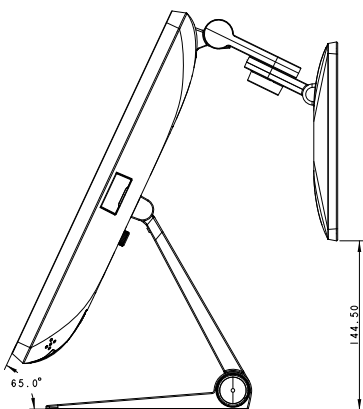
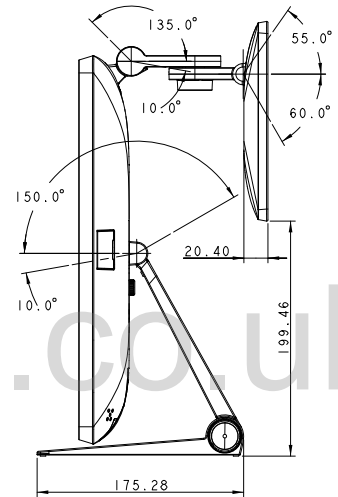
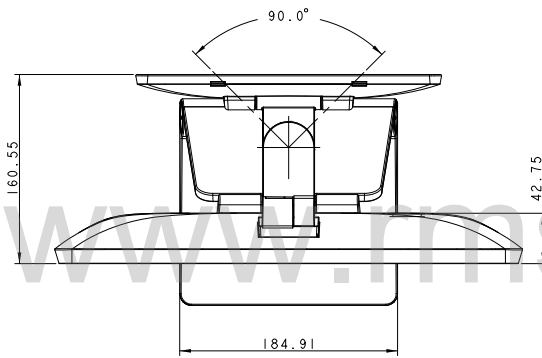
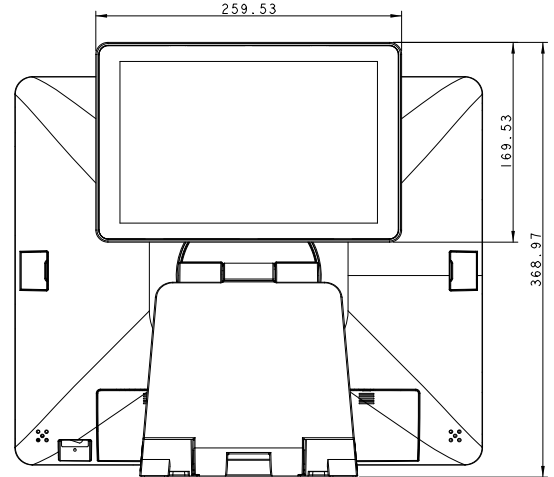
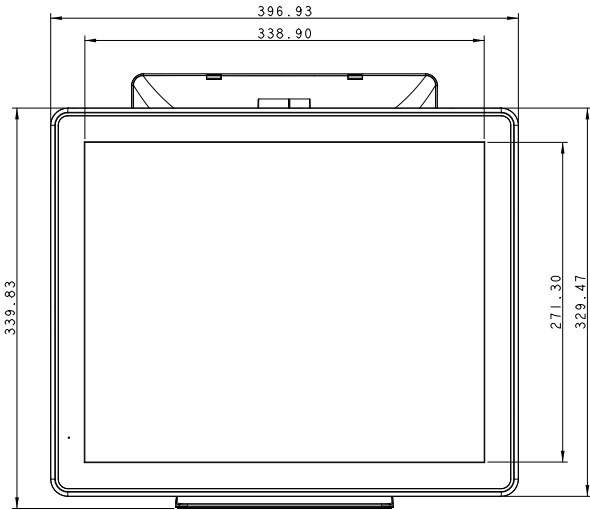
(PE19)



VariPOS 250A Dimension



VariPOS 270A Dimension



Unit: mm

RMS (Scotland) Ltd.

Unit 006, Etrick Riverside
Dunsdale Road
Selkirk
TD7 5EB

www.rmpos.co.uk | 0800 138 0050