

**Poindus**  
COMPAL GROUP

# VariPOS

Take Your  
Store Experience  
to The Next Level

250 i / 270 i



# Features



## Patented Double Hinge & Dual Base Mounting Points Connect with Customers at Any Angle

Patented swivel arm with flexible height/tilt adjustment for 2nd display and dual (left/right) base mounting points for another 2nd display, LCM, or pin pad bracket.



## High Speed Custom USB Type C Connector Redefining Service

The VariI/O I/O Box module connects all your devices through a single high speed custom USB Type C connector maintaining high I/O transfer rates and easy for quick service.

# Ordering Information

## VariPOS 250i/270i (with VariI/O I/O Box)

PE17

- VariPOS 250i/270i i5-7300U
- VariPOS 250i/270i i3-6100U
- VariPOS 250i/270i Celeron 3955U

Intel® Kaby Lake Core™ i5-7300U CPU up to 3.5 GHz

Intel® Skylake Core™ i3-6100U 2.3 GHz CPU

Intel® Skylake Celeron® 3955U 2.0 GHz CPU



Multi-touch Screen



Waterproof - IP66 on Front Panel



Quick & Easy Maintenance

## Detailed Features



- Intel 6th Generation Celeron i3, i5 high-end processors in a fanless structure
- True flat 15" 4:3 LCD, 400 nits / 17" 5:4 LCD, 400 nits (LED backlight) with IP66 protection.
- Patented swivel arm with height adjustment & tilt-angle 2nd screen, mountable at either right or left side of base
- Panel PC configuration available
- High speed custom Type C connector for customizable VariIO I/O Box to meet project specification.
- 1 x 24V, 2 x 12V Powered USB for retail peripherals (VariIO I/O Box)
- Quick SWAP design VariIO I/O Box for easy maintenance.
- Peripheral compatibility across the whole VariPOS 2xx series: LCM, 10.1" 2nd display with patented double hinge, MSR, iButton, Fingerprint, RFID, Scanner.

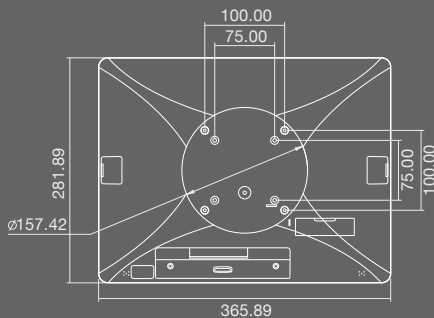
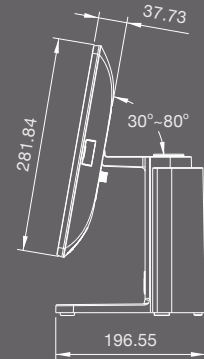
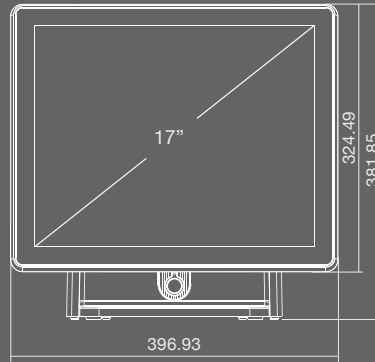
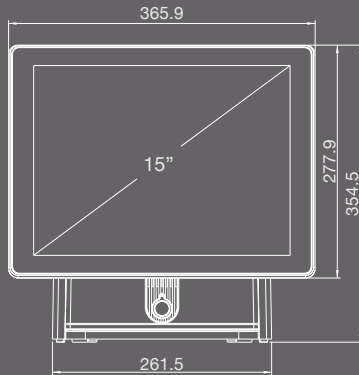
# Specification

<b>Model Name</b>		• VariPOS 250i / 270i
<b>Main Board</b>	Processor	Intel® Core™ i5-7300U Processor Intel® Core™ i3-6100U Processor Intel® Celeron® Processor 3955U
	Chipset	CPU Integrated
	System Memory	1 x SO-DIMM DDR4 slot, 4GB RAM as standard. Max. memory support up to 16GB. Easy access with secured cover for easy maintenance.
	TPM	Intel F/W
	Intel AMT	Only i5 CPU
<b>Display &amp; Touch</b>	LCD Size	15" - 4:3 / 17" - 5:4 TFT LCD (LED backlight)
	Brightness	15" / 17" - 400 nits
	Resolution	15" - 1024 x 768 (4:3) / 17" - 1280 x 1024 (5:4)
	Touch	True Flat Projected Capacitive Technology
<b>Storage</b>	HDD/SSD	1 x SATA II (2.5")
<b>Panel I/O</b>	LAN Port	1 x Mini Din 4P (DC +19V only)
	USB Port	2 x USB 3.0
	Speaker	HD Audio, 2W Speaker x 2
	Power Switch	1 x power on/off button
<b>VariIO I/O Box</b>	Cash Drawer	1 x RJ-11 (Support DC +12V or +24V (default)) port supports 2 cash drawers
	LAN port	1 x Gigabit Ethernet by RJ-45
	USB port	2 x USB 3.0 4 x USB 2.0
	Powered USB Port (Option)	2 x DC+12v Powered USB 1 x DC+24v Powered USB
	COM port	4 x RS-232 (jumper setting, support DC+0/5/12v, default setting is 0v)
<b>OS Support</b>		Windows 10 2016 IOT ( 64bit ) / Windows 7 ( 32bit / 64bit ) (Intel® Kabylake Core™ i5-7300U supports Win 10 64bit)
<b>Power Adapter ( External adapter )</b>		External adapter, DC Model : Voltage:+19VDC, Std. 180watt (*VariIO PUSB) External adapter, DC Model : Voltage:+19VDC, Std. 90watt (*VariPOS 250i/270i ; VariIO Non PUSB)
<b>Compliance</b>	Certifications	CE, FCC, LVD, RoHS
	Protection	IP 66 on front panel
<b>Material</b>		Main Unit: Die-Cast Aluminum; I/O Cover:Plastic
<b>Color</b>		Main Unit: Space Gray / Black, Space Gray / White (POS)
<b>Dimension ( W x H x D mm )</b>		365.89 x 354.48 x 196.55 (15") / 396.93 x 381.85 x 203.06 (17") mm
<b>Environmental Condition</b>	Operating	0°C ~ 40°C, 10% ~ 90% RH, non-condensing
	Storage	-20°C ~ 60°C, 10% ~ 90% RH, non-condensing

<b>Model Name</b>		• <b>VariPOS 250i / 270i</b>
<b>Optional Accessories</b>	2nd Display	10.1" Resolution 1280 x 800 (16:10 wide screen) USB Type, with or without True-flat P-cap 10 point Multi-touch
	VESA Bracket	Supports Display M series
	LCM	2x20 USB Type
	MSR	ISO 3-Tracks Slim MSR, USB Type
	iButton	Dallas Key Reader, USB Type
	RFID	13.56Mhz, USB Type
	Fingerprint	DigitalPersona, USB Type
	Scanner	2D scanner, USB Type
<b>Carton</b>		L 460 x W 300 x H 510 mm (15") / L 495 x W 315 x H 550 mm (17")

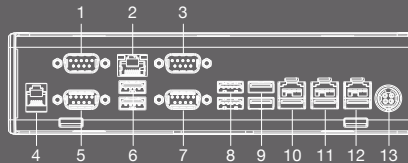
\* The right has been reserved to change the specification without prior notice.

## Dimensions



### VariLO I/O Box

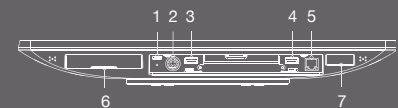
(PE18)



- |                |              |              |
|----------------|--------------|--------------|
| 1. COM 5       | 6. USB       | 11. PUBS 12V |
| 2. LAN         | 7. COM 6     | 12. PUBS 24V |
| 3. COM 7       | 8. USB       | 13. DC 19V   |
| 4. Cash Drawer | 9. USB       |              |
| 5. COM 4       | 10. PUBS 12V |              |

### Panel PC IO Interface

(PE17)



- |            |             |
|------------|-------------|
| 1. TYPE C  | 5. LAN      |
| 2. DC 19V  | 6. 2.5" HDD |
| 3. USB 3.0 | 7. POWER    |
| 4. USB3.0  |             |



**Poindus Systems Corp. Headquarters | [www.poindus.com](http://www.poindus.com)**

5F, No.59, Ln. 77, Xing-Ai Rd., Neihu Dist., Taipei City 114, Taiwan. R.O.C

☎ + 886 27721 4688

📠 + 886 27721 2289

✉ [sales@poindus.com](mailto:sales@poindus.com)

### Germany

ADASYS GmbH Elektronische Komponenten  
Max-Planck-Str. 10 70806 Kornwestheim

☎ + 49 7154 83000

📠 + 49 7154 8300 599

✉ [info@adasys.de](mailto:info@adasys.de)

### UK

3 Devonshire Business Park, Basingstoke,  
Hampshire, RG21 6XN, UK

☎ +44 (0)1256 331 336

✉ [puk@poindus.com](mailto:puk@poindus.com)

### Spain/Portugal

C/ Los Sueños 14, Polígono Industrial Santa Cruz  
29004 Málaga-Spain

☎ +34 956 108 777

✉ [info@poindus.es](mailto:info@poindus.es)