

Specifications



mEnclosure UNIVERSAL (BLK & WHT)

- BLK 37950830
WHT 37950850
- Tablet Enclosure
 - Universal
 - mUnite Compatible
 - 100mm VESA
 - Lock Key

mUnite EZDESK KIOSK STAND (BLK & WHT)

- BLK 37954740
WHT 37954730
- Tablet Kiosk Stand
 - Compatible with mEnclosure
 - Universal Only



mUnite WALL MOUNT (BLK & WHT)

- BLK 37954620
WHT 37954610
- Tablet Wall Mount

mUnite EZ3 STAND (BLK & WHT)

- BLK 37954760
WHT 37954750
- Tablet Stand
 - mC-Print3 Series
 - Includes Customer Facing Display Mount



mUnite TRI MOUNT (BLK & WHT)

- BLK 37954640
WHT 37954630
- Tablet Mount
 - 56cm Pole
 - Three Tablet Capacity

mUnite EZ100 (BLK & WHT)

- BLK 37954780
WHT 37954770
- EZ100 Desk Stand for Star TSP100, TSP650II or TSP700II Series



mUnite FLOOR KIOSK STAND (BLK & WHT)

- BLK 37954700
WHT 37954690
- Tablet Kiosk Stand
 - 45-Inch Height
 - Floor Stand

mUnite 7 MOUNT (BLK & WHT)

- BLK 37954800
WHT 37954790
- Tablet Mount
 - 18cm Pole
 - Counter Top Mount
 - Installation Kit included



mUnite EZPOS STAND (BLK & WHT)

- BLK 37954720
WHT 37954710
- Tablet Stand

mUnite 18 MOUNT (BLK & WHT)

- BLK 37954820
WHT 37954810
- Tablet Mount
 - 46cm Pole
 - Counter Top & Edge Mount
 - Installation Kit included



Star mUnite Series



All other trademarks, where used, are acknowledged. In accordance with Star's policy of continual product development, Star Micronics Europe Limited reserve the right to change or amend the specification and price of its products from time to time without prior notice.

Star Micronics EMEA

Star House, Peregrine Business Park, Gomm Road, High Wycombe, Bucks. HP13 7DL, UK
Tel: +44 (0) 1494 471111 • Email: Sales@Star-EMEA.com

star
www.Star-EMEA.com

mPOS Solution Stands

star
www.Star-EMEA.com

Star mUnite Series Tablet Stands

mPOS Solution Stands

Star Micronics is proud to offer both function and style with its commercial grade mUnite mPOS solution stands, built to accompany Star's POS printer range. The durable steel stands are easy to set up and are available in either black or white to match existing POS systems. The mUnite stands maintain a clean design while hiding all the cables that keep devices connected, routing power supplies to recapture counter space.

These durable steel mounts, kiosks, and stands are compatible with Star's Universal mEnclosure, or any enclosure that uses universal VESA mounting. Easy to set up, Star's mUnite stands are suitable for a wide range of applications in retail, hospitality, kiosk and visitor management.

mEnclosure features:



- Adjustable Universal mEnclosure tablet holder
- Universal VESA mounting
- Clean cable management
- Easy to tilt for customer interactions
- Secure tablet mounting with adjustable locking arms
- Tablet can be locked in place and removed easily with included keys
- Tablet can be positioned in portrait or landscape view
- Available in black or white

Mount Stands

Star Micronics has created multiple stylish tablet mounts to free up and declutter workspace while keeping valuables secured in one area. They attach to most walls and countertops with everything needed to get set up included. Incredibly modern and space-saving, these tablet mounts are perfect for online ordering for the restaurant or QSR industry, retail, hospitality industry, or any establishment where tablets are regularly used and can be stationary. Tablets are well-protected and easily accessible while out of the way in busy environments. *Tablet and printer not included. mEnclosure tablet holder must be ordered separately.



MOUNT 7

- Tilt Angle: +150°, -15°
- Rotation: ± 180°
- WxDxH: 116mm wide, 105mm deep, 248mm high
- VESA Weight Capacity: 4 kg
- Monitor Size: from 12 inch



MOUNT 18

- Tilt: +90°, -60°
- WxDxH: 116mm wide, 150mm deep, 437mm high
- Weight: 3.5kg
- VESA Weight Capacity: 8.5kg
- Monitor Size: 10 to 32in



WALL MOUNT

- Tilt: +35°, -30°
- WxDxH: 116mm wide, 66.2mm deep, 116mm high
- Weight: 0.8 kg
- VESA Weight Capacity: 20 kg
- Monitor Size: 10 to 27in



TRI MOUNT

- Tablet tilt: + 90°, -60°
- WxDxH: 116mm wide, 178.5mm deep, 585mm high
- Weight: 2.69 kg
- VESA Weight Capacity: 8.5 kg
- Monitor Size: 10 to 32in

Desktop Stands

Freshen your point-of-sale with Star's wide selection of mUnite desktop tablet stands. Keeping cables together and off the checkout counter, these upscale stands are made to house and protect a variety of Star printers, providing stability and style. They use universal VESA mounting to secure the tablet of your choice, giving the freedom to tilt the screen while including room for a second customer-facing option. Stylishly space-saving, Star's desktop stands present a clean and attractive look to your customers.

*Tablet and printer not included. mEnclosure tablet holder must be ordered separately.



EZ3

- Tilt: +50°, -5°
- WxDxH: 162mm wide, 229mm deep, 280mm high
- VESA Weight Capacity: 5 kg
- Monitor Size: Max 15in



EZ100

- Tilt: +45°, -45°
- WxDxH: 176mm wide, 268mm deep, 340mm high
- VESA Weight Capacity: 5 kg
- Monitor Size: Max 15in



EZPOS

- Tilt: +45°, -45°
- WxDxH: 300mm wide, 200mm deep, 220mm high (to top of post)

Kiosk Stands

With the mUnite EZ Desk Kiosk and Floor Kiosk stands, Star Micronics has created two sturdy yet easy-to-move tablet displays built for any self-service or customer engagement application. These stands are free-standing with weighted bottoms to keep them firmly in place. Presenting an attractive, minimalist design, Star's kiosk stands can be used in any retail or hospitality environment, allowing customers to check in or place orders independently or used for visitor management or customer information.

*Tablet and printer not included. mEnclosure tablet holder must be ordered separately.



EZDESK

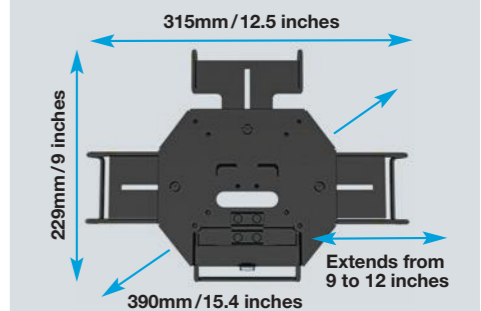
- Tilt: +115°, -15°
- WxDxH: 150mm wide, 221mm deep, 183mm high



FLOOR KIOSK STAND

- Tilt: +90°, -10°
- WxDxH: 573mm wide, 474mm deep, 1179mm high
- VESA Weight Capacity: 8.5 kg
- Monitor Size: 10 to 32in

A MUST-HAVE ADDITION: Pair stands with the right mEnclosure



- Industry-leading, adjustable Universal mEnclosure is compatible with virtually any tablet
- Available in attractive black and white finishes to match existing POS systems
- Pair with all VESA compatible mounts, stands, or kiosks in the mUnite family