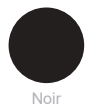

BC 261



SCANNER OMNIDIRECTIONNEL 1D/2D
COMPATIBLE SMARTPHONE
USB



Noir

BC261

SPECIFICATIONS

Smartphone compatible

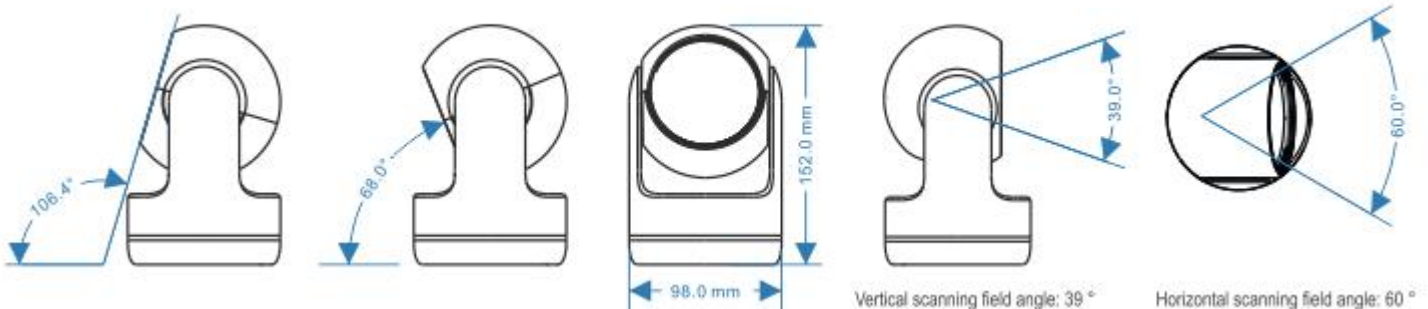
| | |
|------------------------------|--|
| Barecode reader | 1D/2D imager |
| Résolution capteur | 1 280*800 |
| Scan rate | 60 scans/s |
| Light source | Red |
| Depth of scan field | 5-280mm (EAN13 13mm) |
| Scan precision | 3mil |
| Interfaces | USB (keyboard / VCOM) |
| Connectics | USB |
| Cable length | 1.8m |
| Scan pattern | Manual and automatic |
| Consumption | Function: 450 mA Standby: < 236 mAh |
| Voltage requirement | DC 5V |
| Motion tolerance during scan | 1.5m/s |

PERFORMANCES

| | |
|--------------------|---|
| Supported barcodes | 1D |
| | CODABAR / Code 11 Code 39 / Code 32 2 Parmi 5 / Code 93 Code 128 / GS1-128 UPC-A / UPC-E EAN8 / EAN13 GS1 / RSS14 |
| | 2D |
| | PDF147 / Micro PDF147 QR Code / Micro QR Code Data Matrix / Aztec |

DIVERS

| | |
|------------------------|------------------------------|
| Weight | 350gr |
| Dimensions H*L*P: | 152*98*98mm |
| Supported illumination | 0-5000Lux (artificial light) |
| | 0-100,000Lux (natural light) |



Specifications are subject to change without notice. © OXHOO © 2022

