



retail price computing scale

Overview

- **Simple & easy** to use price computing scale
- **Compact & robust**
- **Portable** with internal battery as standard



General Description

Designed to offer all the functions the independent retailer needs, the FX50 is a simple, easy to use price-computing scale.

A choice of integral or customer tower display, the FX50 has high visibility liquid crystal backlit displays as standard.

Large, easy-to-use keys on a wipe-clean keypad with audible “bleep”.

With a cluster type keypad of 28 keys (30 USA variant) and touch key entry of unit price with Fix / Save facility, the FX50 is as easy to programme as it is to use. Offering up to 50 Price Look-Up keys, 12 of which are hot-shot keys for fast-moving items.

Other FX50 functions include:

- Price per kg / per 100g
- Cental lb/metric kg switching (USA only)
- Tare options
- Zero
- Clear
- X2 & X4 (USA only)

Internal rechargeable battery and switchable 100-240V “plug top” adaptor supplied as standard.

Programmable backlight and auto power-off are power saving features ideal for use when in battery mode.

RoHS compliant.

Specification

Capacities

Capacities	Tare Capacity (maximum)
15kg x 5g	15kg
30lb x 0.01lb/ 15kg x 5g switching	30lb / 15kg

Tares

- Retained
- Proportional (USA only)
- Keyboard entered (USA only)

Displays

Integral or customer tower display variants

Back lit front & rear LCD

Back light programmable to on, off or auto

Characters 20mm in height

Unit weight, a 6 seven segment digit display with weight displayed up to 5 digits plus minus sign for -ve tare indication.

Unit price, a 6 seven segment digit display with price displayed up to 6 digits and configured between 0 and 4 decimal places (can be re-configured via service mode).



Total price, a 6 seven segment display with total price displayed up to 6 digits computed to the nearest 1 unit of currency.

With annunciators for:-

- Zero
- Battery Operation/ Battery Low
- Net
- Fix/Save
- Capacity type

Power Supply

Mains

Power operation via plug in switch mode power supply
100-240V (±10%) at 50 Hz or 60 Hz and cable length 1.8m

Battery

Battery operation via internal rechargeable 6V 4amp sealed lead acid battery.

Battery life

Offers up to

- 80 hours with backlight programmed off
- 35 hours with backlight programmed on

Auto power off programmable to every 1 minute, 5 minutes or 30 minutes.

Please note that the battery life expectancy expressed above is dependent on battery quality, environment and scale activity.

Finish

Housing including Column & Customer Tower Display

Dark grey ABS

Weigh Pan

Stainless steel brushed finish

Environment

Operating Temperature Range

-10°C to + 40°C

Storage Temperature Range

-20°C to + 50°C

Operating Humidity

0 – 95% (non condensing)

Storage Humidity

0 – 98% (non condensing)

Approvals

Fully approved in all EU countries – UK 2831

USA NTEp pending

Options

Customer tower display

Scoops – 3 sizes

- Flat bottomed 305mm / 12" small scoop
- Flat bottomed 406mm / 16" large scoop
- Flat bottomed G pan 400mm x 275mm x 60mm / 15.7" x 10.8" x 2.36"

Weight

With Integral Displays

4.3kg / 9.48lbs

With Tower

4.9kg / 10.8lbs

Shipping Specification

With Integral Displays

4.3kg / 9.48lbs

Gross: 5.8kg / 12.78lbs

Measurements: 505mm x 380mm x 170mm/19.88" x 15" x 6.7"

With Tower

Net: 4.3kg / 9.48lbs

Gross: 6.6kg / 14.55lbs

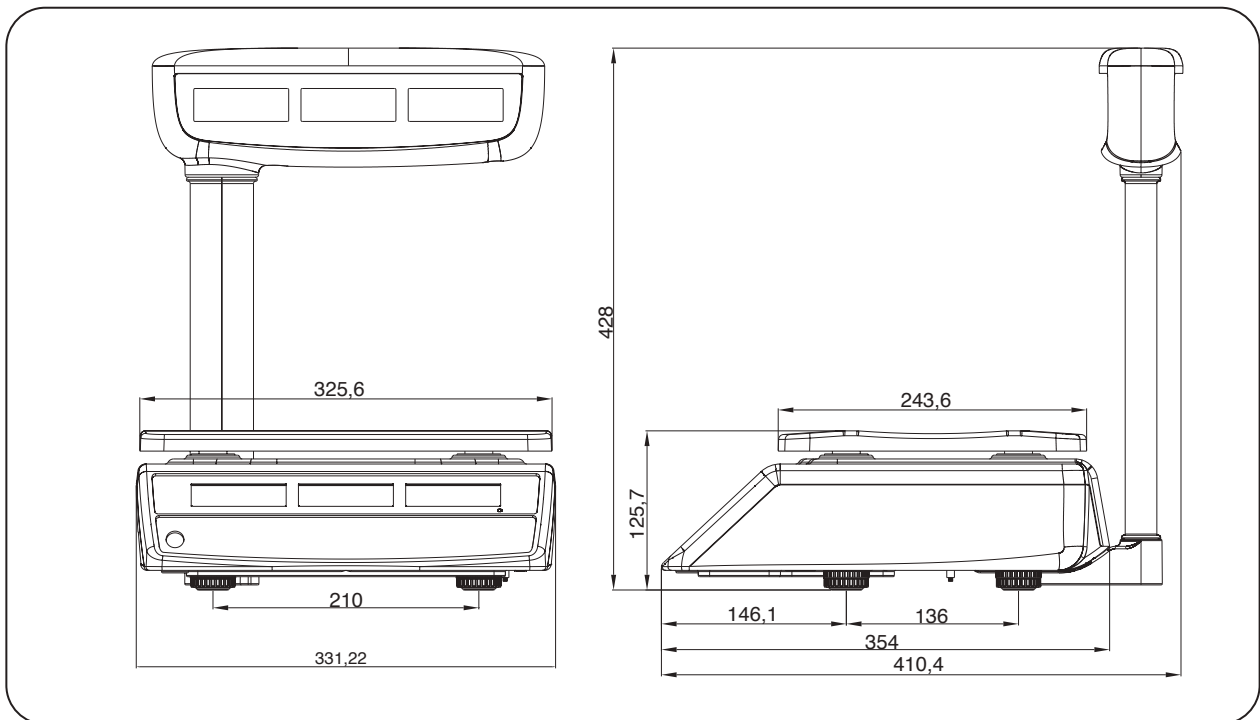
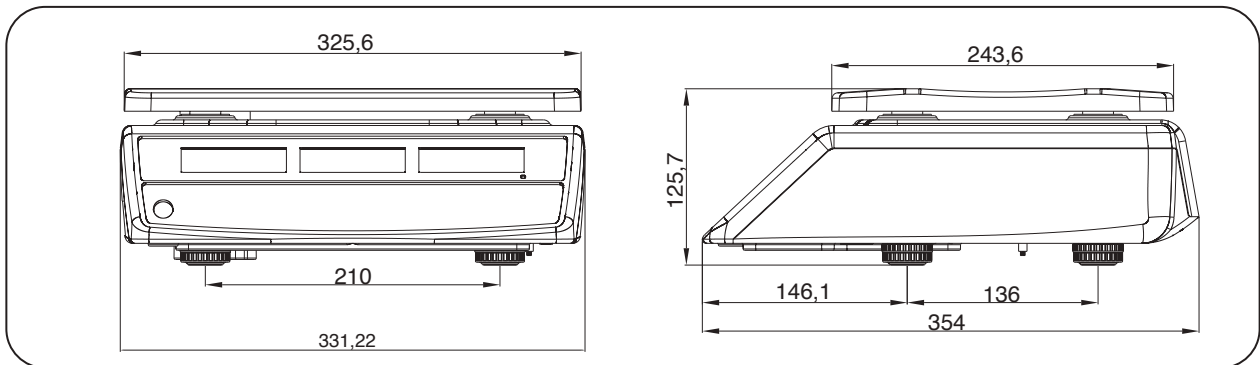
Measurements: 545mm x 390mm x 230mm/21.45" x 15" x 9"

Harmonised Commodity Code

8423.81.00

Scale Dimensions - *Metric*

Integral housing:	354mm x 331mm x 125.7mm (top of weigh pan to feet)
Tower housing:	410.4mm x 331mm x 125.7mm (top of weigh pan to feet) / 428mm (top of tower display)
Weigh pan:	326mm x 244mm
Tower display:	Height 428mm, display housing 310mm x 65.5mm



Scale Dimensions - Imperial

Integral housing:	13.9" (354mm) x 13" (331mm) x 4.9" (125.7mm) (top of weigh platter to feet)
Tower housing:	16" (410.4mm) x 13" (331mm) x 4.9" (125.7mm) (top of weigh platter to feet) / 16.8" (428mm) (top of tower display)
Weigh platter:	12.8" (326mm) x 9.6" (244mm)
Tower display:	Height 16.8" (428mm) display housing 12.2" (310mm) x 2.6" (65.5mm)

