

ONIX 645



4:3

SCREEN



CAPACITIVE
MULTI-TOUCH



MICROSOFT



FANLESS



SSD



VESA

CONFIGURATIONS



ONIX645

ONIX 645

Cooling	FANLESS
Screen	15" TFT LCD
Touch Panel	Multi-Touch (PCAP)
Brightness	300 nits
Resolution	1024 x 768
Internal Speaker	1 x 3W

MODEL

Processor	Intel Elkhart Lake J6412
System Memory	1 x DDR4 4GB up to 16GB Max
Storage Device	SSD 128GB M.2
Expansion	1 x Mini Slot-E Slot
Graphic Engine	Intel HD Graphic
Power Supply	65W/19V

INPUT/OUTPUT

Network	1 x RJ45
Storage	1 x M.2 SSD or NVMe (M-key)
USB Type A	2 x USB 3.0 2 x USB 2.0
USB Type C	2
FeDP	1
Serial COM RS232	2 (COM1 & COM2 DB9-COM+5V/+12V)
Cash drawer	1 x RJ12
DC-IN	1

OS COMPATIBILITY

Windows 10 (64-bit), Windows IOT 10(64-bit)
Windows 11 (64-bit) (Supported when released), Linux

VARIOUS

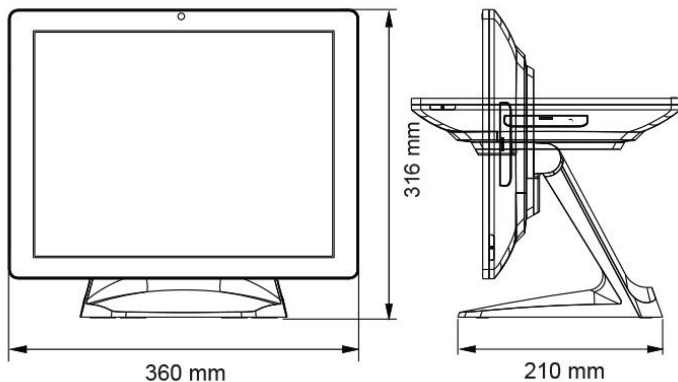
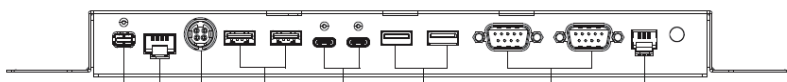
On/Off Button	Right Side
Dimensions L x l x H	360 x 210 x 316mm
Weight	5.4kg
Colour	Black
IP Rating	IP 54 Front Side
Setup	Horizontal from 0° to 90°
Certifications	FCC/CE Class A, LVD, CE Mark
Operating temp.	0°C ~ 35°C
Storage temp.	-10°C ~50°C
Humidity	20% ~ 85% without condensation
VESA	100 x 100

PACKAGING

Unit	1
Dimensions l x L x H	360*200*233 to 325mm
Weight	5.4kg

OPTIONS

Integrated Customer Display
2 nd Display 11.6"
3-Track MSR (USB)
iButton (USB)
Fingerprint Reader (USB)
WiFi Dongle
SSD 250GB NVMe



Specifications are subject to change without notice. © OXHOO 2023